



290 East 56th Avenue
 Denver, CO 80216
 (303) 296-9696

Salesperson: _____






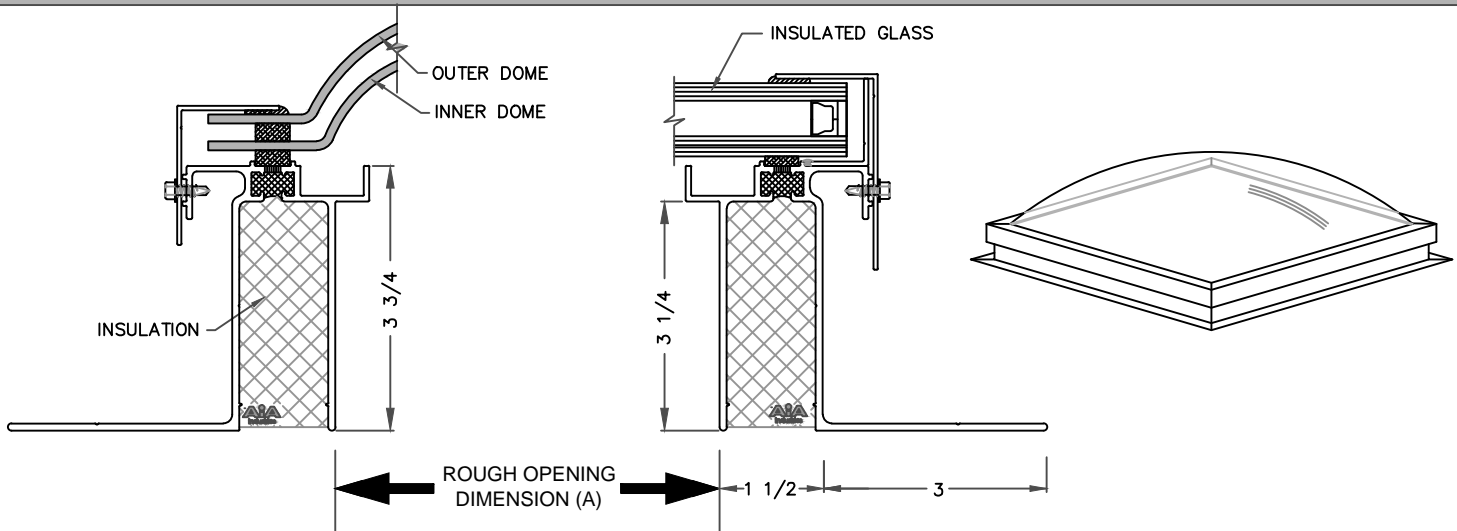
Please Fill Out and Fax to: (303) 296-2146

SELF FLASHING SKYLIGHT WORKSHEET

Sold To: _____ Phone: _____ Fax: _____
 Address: _____ City: _____ State: _____ Zip: _____
 Project/PO: _____ E-Mail: _____

QTY.	(A) Rough Opening Dimension See Below (In Inches)	Dome Height (Usually 20–25% of smaller size if not specified)	Other Notes
	X		
	X		
	X		
	X		

<p>Skylight Type:</p> <input type="checkbox"/> Standard Acrylic Dome  <input type="checkbox"/> Optional Acrylic Pyramid  <input type="checkbox"/> Optional Flat 2:12 Minimum Slope 	<p>Frame Finish: (Choose One)</p> <input type="checkbox"/> Standard Mill Finish <input type="checkbox"/> Other: _____ _____ _____	<p>Glazing: (Choose One)</p> <input type="checkbox"/> Standard Double Acrylic Dome <input type="checkbox"/> Clear over Clear <input type="checkbox"/> Bronze over Clear <input type="checkbox"/> Clear over White <input type="checkbox"/> Optional Single Acrylic Dome <input type="checkbox"/> Clear <input type="checkbox"/> Bronze <input type="checkbox"/> White <input type="checkbox"/> Glass _____ _____ _____	<p>Installation Supplies:</p> <input type="checkbox"/> Silicone Sealant 10oz Tube <input type="checkbox"/> Black <input type="checkbox"/> Gray <input type="checkbox"/> Installation Kit -3/4" Wide x 1/4" High x 25' Long Curb Gasket Roll, and -(16) #10x2" PPH SMS Installation Screws <input type="checkbox"/> Curb Gasket Roll -3/4" Wide x 1/4" High x 25' Long <p>Options:</p> <input type="checkbox"/> CLEAR Heat & Hail Resistant Clear outer with slight green tint and clear inner. <input type="checkbox"/> WHITE Heat & Hail Resistant Clear outer with slight green tint white inner).
--	---	--	--



Approved By: _____ Date: _____

Specifications: Skylights as manufactured by AiA Industries, Inc. Denver, Colorado (303) 296-9696. Skylights consist of an extruded aluminum 6063-T6 inner frame (.070") with a polyurethane thermal-brake to reduce thermal transfer through the aluminum frame to minimize condensation on the interior frame sections and outer frame (.060") thick. Skylights are constructed to withstand 40 P.S.F. downward and 20 P.S.F. outward loading and constructed to minimize air infiltration with provisions for adequate weeping to exterior.
 Dome units shall consist of an acrylic thermoformed free blown dome(s) in industry standard thicknesses as determined by overall size with a peel-off protective film. Glass units shall be constructed of sealed insulating glass units with tempered outer lite, and laminated inner lite.

Note: Condensation is not a Skylight defect, it's a result of atmospheric conditions inside and outside of the building. Skylights are designed to structurally account for expansion and contraction. Occasionally there may be audible popping noises especially with acrylic domes. All Skylight Glazing (transparent material) will have inherent minor distortion especially when viewed at an angle. Tolerances are +/- 1/8".