



290 East 56th Avenue
 Denver, CO 80216
 (303) 296-9696

Salesperson: _____






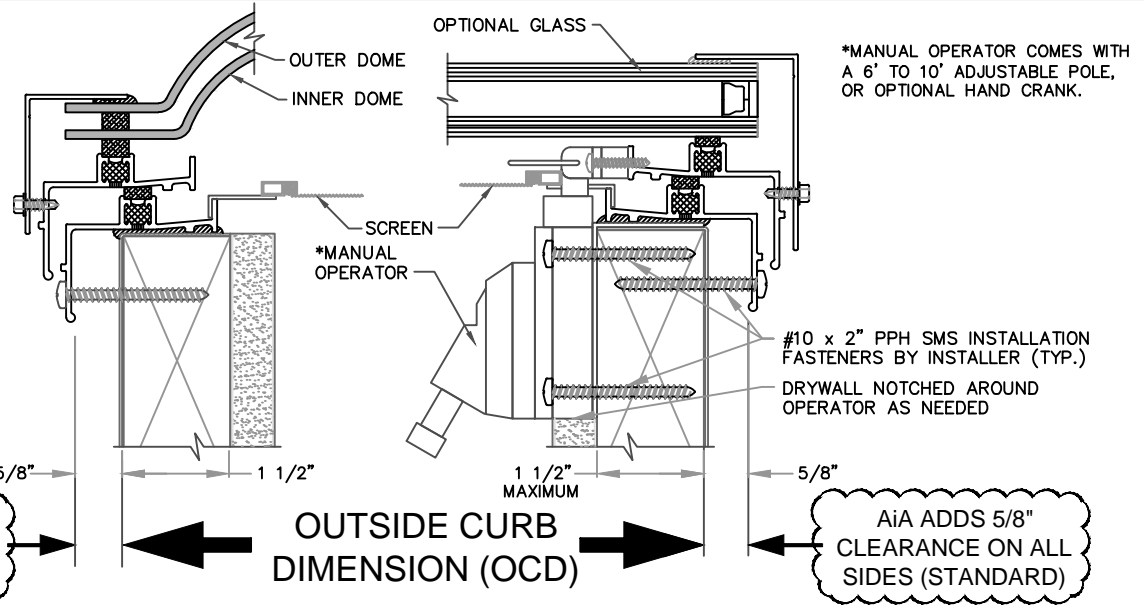
Please Fill Out and Fax to: (303) 296-2146

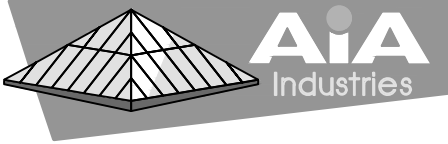
MANUAL OPERABLE CURB MOUNT SKYLIGHT WORKSHEET

Sold To: _____ Phone: _____ Fax: _____
 Address: _____ City: _____ State: _____ Zip: _____
 Project/PO: _____ E-Mail: _____

QTY.	(A) Outside Curb Dimension See Below (In Inches)	(B) Dome Height (Usually 20-25% of smaller size if not specified)	Other Notes
	Hinge/Operator Side (Width) 23" Minimum Width with a 2" Thick Curb <input checked="" type="checkbox"/> Slope Side (Length)		
	<input checked="" type="checkbox"/>		
	<input checked="" type="checkbox"/>		

<p>Skylight Type: (Choose One)</p> <input type="checkbox"/> Standard Acrylic Dome 30' Square Foot Maximum 6' Maximum Per Side.  <input type="checkbox"/> Optional Acrylic Pyramid 30' Square Foot Maximum 6' Maximum Per Side.  <input type="checkbox"/> Optional Flat Glass 2:12 Minimum Slope 16' Square Foot Maximum 	<p>Frame Finish: (Choose One)</p> <input type="checkbox"/> Clear Anodized/ Mill Finish	<p><input type="checkbox"/> Dark Bronze Anodized</p> <p><input type="checkbox"/> Custom Frame Finish: _____</p>	<p>Glazing: (Choose One)</p> <p>Standard Double Acrylic Dome</p> <input type="checkbox"/> Clear over Clear <input type="checkbox"/> Bronze over Clear <input type="checkbox"/> Clear over White <p>Optional Single Acrylic Dome</p> <input type="checkbox"/> Clear <input type="checkbox"/> Bronze <input type="checkbox"/> White <p>Optional:</p> <input type="checkbox"/> Flat Insulated Glass <small>Standard: Low-E Clear</small> <input type="checkbox"/> Optional Bronze <input type="checkbox"/> Custom: _____ <hr/> <input type="checkbox"/> Flat Multiwall Translucent Polycarbonate Panel <small>Standard: 16mm (5/8") Clear</small> Optional: <input type="checkbox"/> Bronze <input type="checkbox"/> Opal (White) <input type="checkbox"/> Custom: _____	<p>Options:</p> <input type="checkbox"/> CLEAR Heat & Hail Resistant Clear outer with slight green tint and clear inner. <input type="checkbox"/> WHITE Heat & Hail Resistant Clear outer with slight green tint and white inner. <p>Installation Supplies:</p> <input type="checkbox"/> Silicone Sealant 10oz Tube <input type="checkbox"/> Black <input type="checkbox"/> Gray <input type="checkbox"/> Installation Kit -3/4" Wide x 1/4" High x 25' Long Curb Gasket Roll, and -(16) #10x2" PPH SMS Installation Screws <input type="checkbox"/> Curb Gasket Roll (Only) -3/4" Wide x 1/4" High x 25' Long
---	--	---	---	--





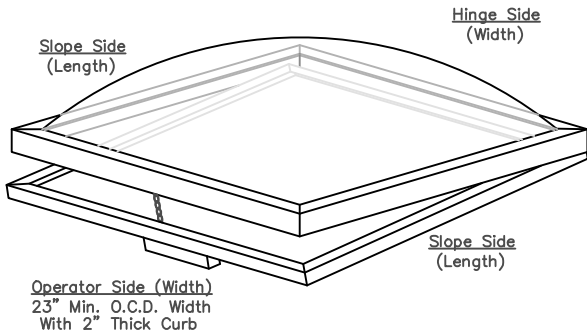
290 East 56th Avenue
 Denver, CO 80216
 (303) 296-9696

Salesperson: _____

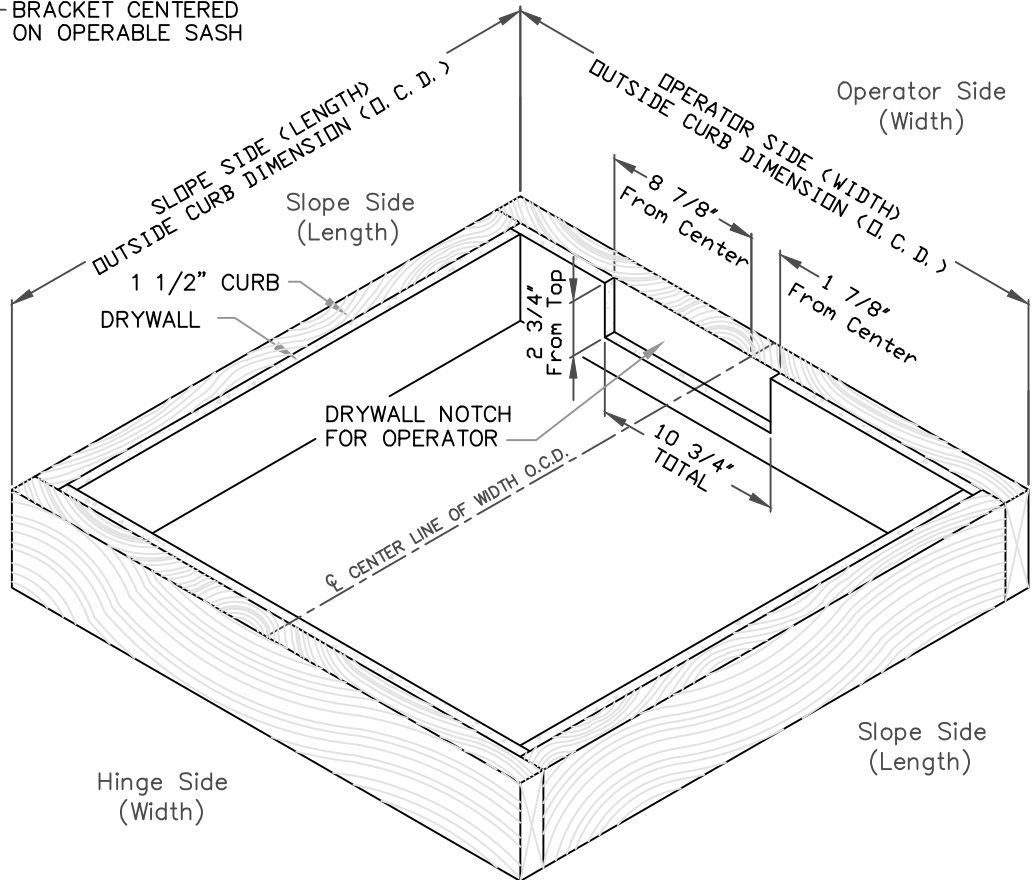
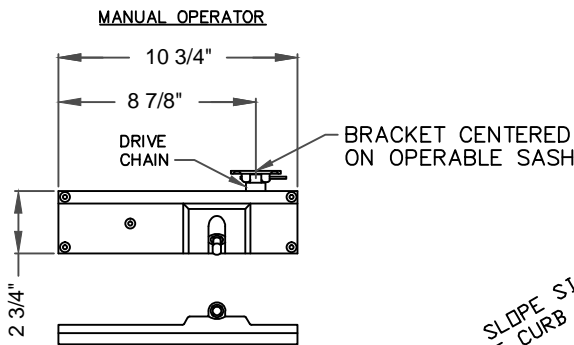
Please Fill Out and Fax to: (303) 296-2146



MANUAL OPERABLE CURB MOUNT SKYLIGHT WORKSHEET



- MAXIMUM WEIGHT OF AN OPENING SKYLIGHT: 160 LBS.
- MAXIMUM AREA:
 GLASS- 16 SQ. FT., NOT TO EXCEED 48" ON ANY SIDE.
 ACRYLIC - 30 SQ. FT., NOT TO EXCEED 72" ON ANY SIDE.
- SCREENS: EXTRUDED FLAT PERIMETER FRAME WITH WIRE MESH
 NOTE: SCREEN REMOVES FROM THE EXTERIOR



Approved By: _____

Date: _____

Specifications: Skylights as manufactured by AiA Industries, Inc. Denver, Colorado (303) 296-9696. Skylights consist of an extruded aluminum 6063-T6 inner frame (.070") and outer frame (.060") thick with polyurethane thermal-brake to reduce thermal transfer through the aluminum frame and to minimize condensation on the interior frame sections. Skylights are to have a gasket under & between glazings with provisions for adequate weeping to exterior and be constructed to minimize air infiltration. Dome Skylight units shall consist of an acrylic thermoformed free blown dome(s) in industry standard thicknesses as determined by overall size with a peel-off protective film constructed to withstand 40 P.S.F. downward and 20 P.S.F. outward loading. Glass Skylight units shall be constructed of sealed insulating glass units with tempered outer lite, and laminated inner lite. Glass skylights shall have breather tubes - see website. Note: Condensation is not a Skylight defect, it's a result of atmospheric conditions inside and outside of the building. Skylights are designed to structurally account for expansion and contraction. Occasionally there may be audible popping noises especially with acrylic domes. All Skylight Glazing (transparent material) will have inherent minor distortions especially when viewed at an angle. Tolerances are +/- 1/8". AiA Skylights are not designed to support people- OSHA approved Safety devices are to be used around skylights for personal safety. This Worksheet will supersede all details on quotation - Please double check this form for accuracy.